



LMC

GENERATING
MOVEMENT
EFFICIENTLY

Marine Drive Systems



Bluefin

Electric Marine Propulsion Units

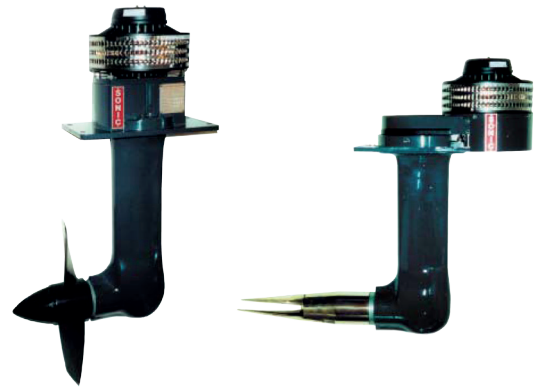
We offer a range of power and voltages specifically for the Sillette-Sonic Saildrive leg. These have been developed over many years of stringent tests to ensure the correct components offer the most efficient system.

Motors

Ranging from 24v 2.8kw to 48v 8Kw Speed will depend on the working voltage.

Control Assemblies

The electronics are selected to the relevant working voltage these are custom built to your specifications and are supplied complete with installation instructions and necessary drawings.

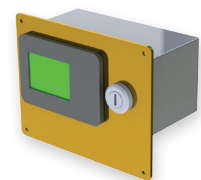


Marine Display Panel and Throttle



Traditional marine throttle right hand version shown. However, we can offer left or right hand please specify at time of ordering.

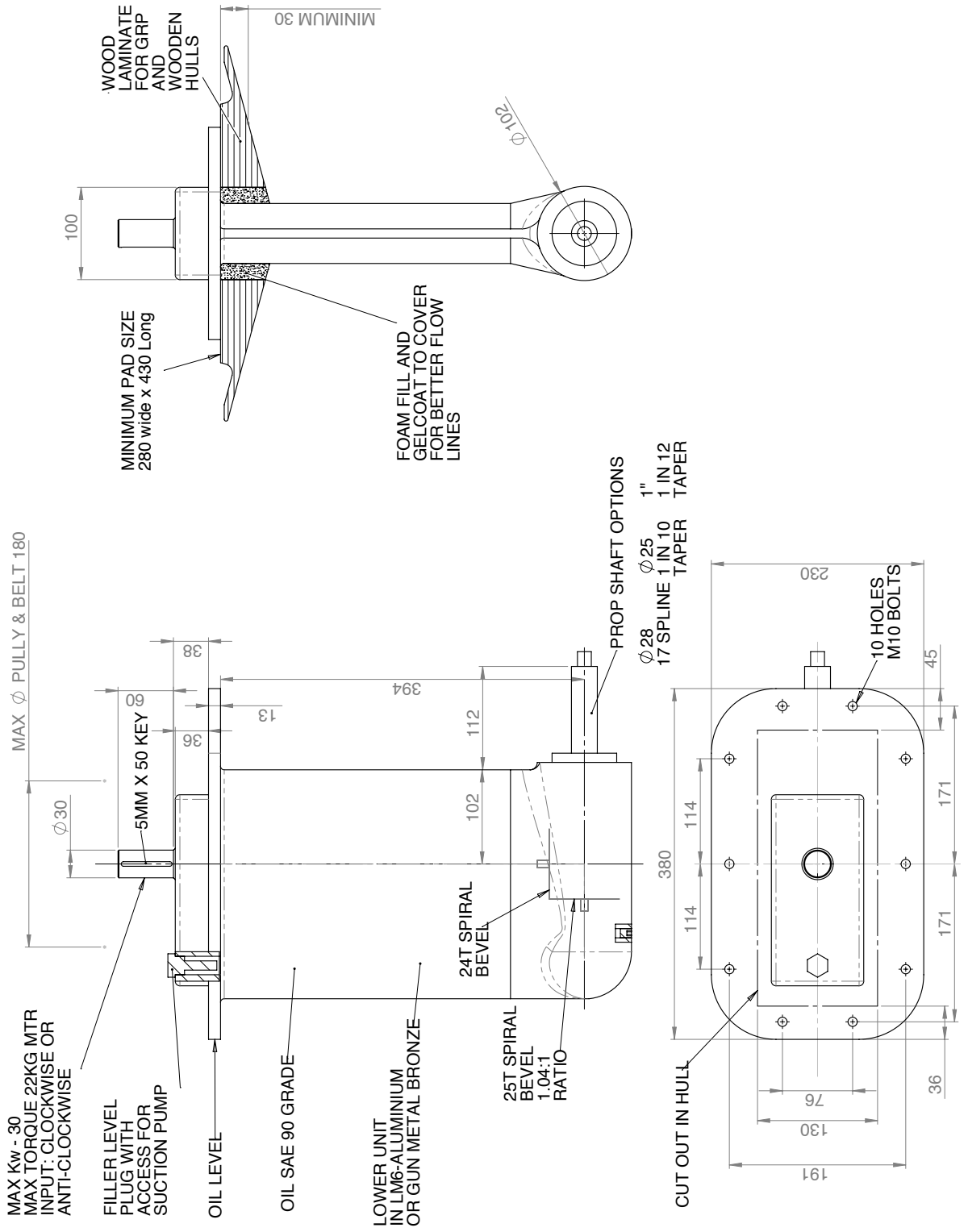
All of the electronics are protected from the elements by a stainless steel control box.



Pricing

Please contact us for our current prices.

We recommend you service your marine drive system every 12 months minimum - we have spares available from stock.



GENERATING
MOVEMENT
EFFICIENTLY

Headquarters:
LCM Limited, Lynch Motor Company Ltd,
 Unit 27, Flightway Business Park,
 Dunkeswell, Honiton, Devon EX14 4RJ
Tel: +44 (0) 1404 892940
Fax: +44 (0) 1404 891990
email: sales@lmcltd.net www.lmcltd.net

Sales Worldwide:
LMC MARINE,
Tel: +45 40592201
email: sales@lmcmarine.com
www.lmcmarine.com



Local dealer: