



LMC

GENERATING
MOVEMENT
EFFICIENTLY



MOTORS

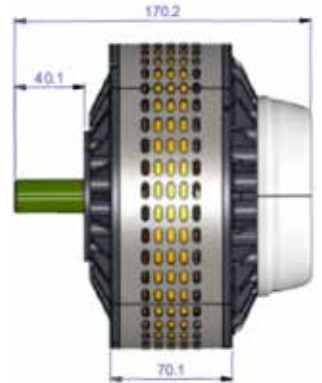
LEM-170

Overview

The LEM-170 is an axial gap DC brushed motor suitable for traction and industrial applications.

Example applications include compressors, sweepers, mopeds, golf carts and pumps.

The LEM-170 is available in 95, 126 and 127 strip armatures with magnet grade selection dependant on application.

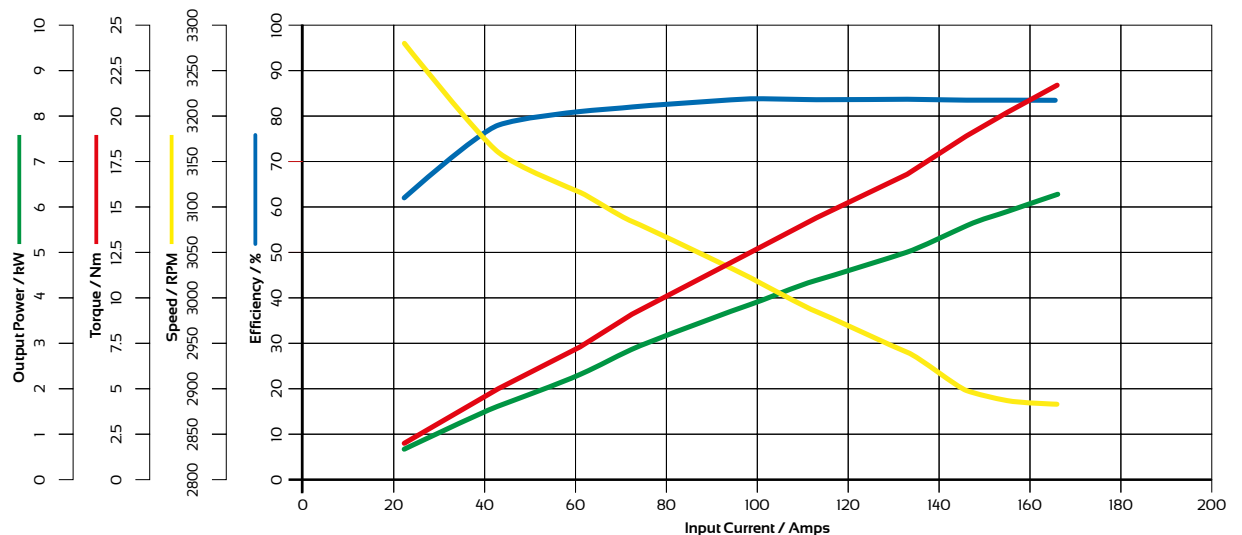


Features

- High efficiency (up to 90%)
- Lightweight design (8.5kg)
- Simple electronic control
- Long brush Life
- Interchangeable Shaft
- Rugged Construction
- CE Marked
- Ip20 rating
- Available from 12 to 60v
- Speed proportional to voltage

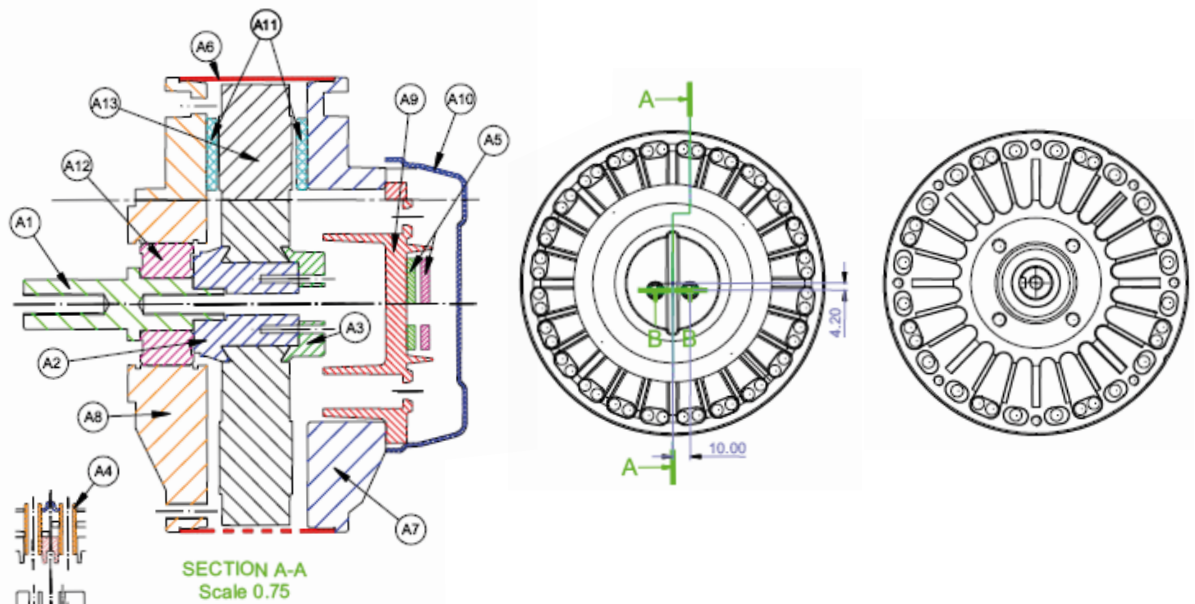
Typical Technical Data Curve

Data from 170-D127



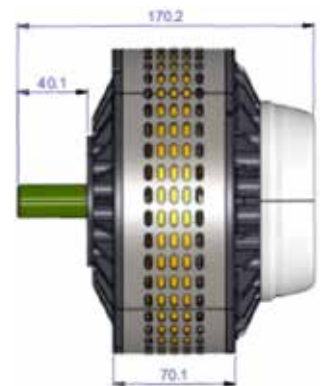
Technical Data

Motor	No Load Current A	Torque Constant Nm/A	Speed Constant Rpm/V	Armature Resistance DC mΩ	Armature Inductance @ 15kHz μH	Armature Inertia Kgm^2	Peak Power kW	Peak Efficiency %	Peak Current A	Rated Power kW	Rated Speed Rpm	Rated Voltage V	Rated Current A	Rated Torque Nm
D127	4	0.134	62	21	15	0.0236	21	90	400	7.10	3720	60	140	18.2
126	18	0.055	140	185	8	0.0234	7	76	400	4.30	3360	24	240	12.2
127	5	0.12	68	24	23	0.0236	16	89	400	5.54	3264	48	140	16.2
95	8	0.101	95	21	18	0.0238	16	88	400	7.2	3420	36	200	16.5



Label	QTY	PartNo.	Description
A1	1	LEM 00010 P	Shaft
A2	1	LEM 00008 P	Hub
A3	1	LEM 00009 P	Cap
A4	2	LEM 00012 P	Terminal post
A5	2	LEM 00011 P	Terminal plate
A6	1	LEM 00004 P	Band cover
A7	1	LEM 00006 P	Commutator casting
A8	1	LEM 00007 P	Drive casting
A9	1	LEM 00003 S	Brush holder & Extrusions Sub-Assy
A10	1	LEM 00035 P	Brush Cover
A11	16	LEM 00038 P	Drive magnets
A12	1	LEM 00037 P	Bearing
A13	1	LEM 00039 S	Armature

Dimensions: MM



GENERATING
MOVEMENT
EFFICIENTLY

LCM Limited, Lynch Motor Company Ltd, Unit 27,
Flightway Business Park, Dunkeswell, Honiton, Devon EX14 4RJ
Tel: +44 (0) 1404 892940 Fax: +44 (0) 1404 891990
email: sales@lmcltd.net www.lmcltd.net

