



LMC

GENERATING
MOVEMENT
EFFICIENTLY



MOTORS

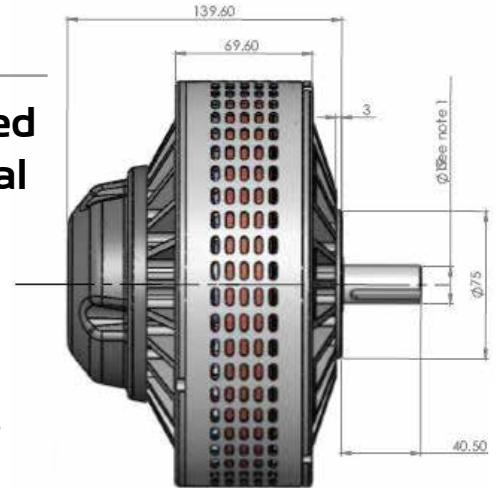
LEM-200

Overview

The LEM-200 is an axial gap DC brushed motor suitable for traction and industrial applications.

Example applications include grass cutters, Go-Karts, motorcycles, golf carts, scissor lifts, lightweight vehicles, boats and generators.

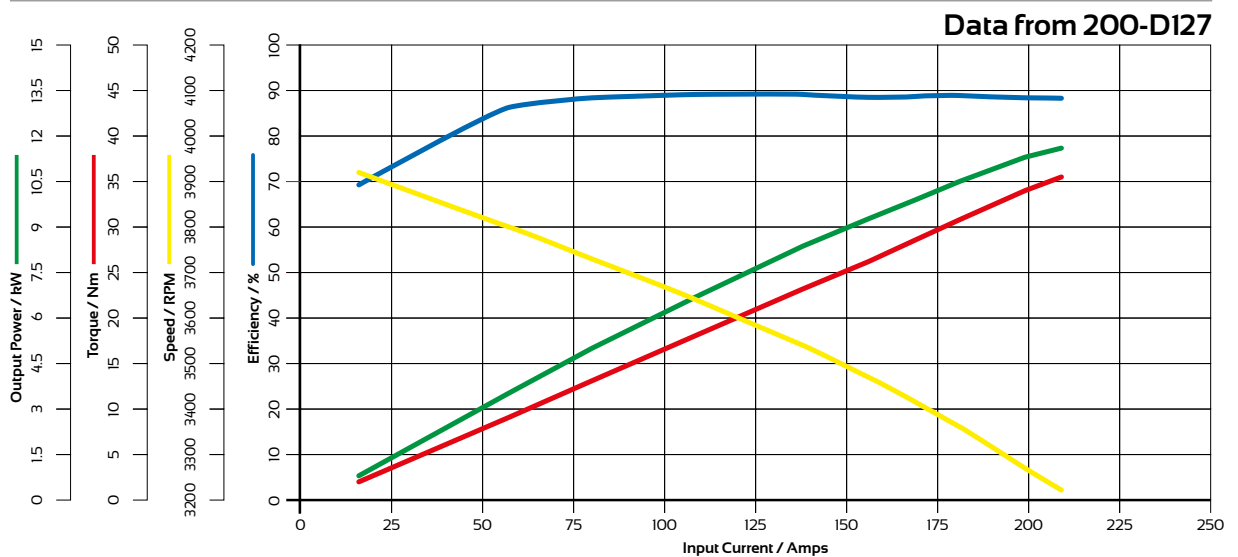
The LEM-200 is available in 95, 126, 127 and 135 strip armatures with magnet grade selection dependant on application.



Features

- High efficiency (up to 93%)
- Lightweight design (11kg)
- Simple electronic control
- Long brush Life
- Interchangeable Shaft
- Rugged Construction
- CE Marked
- Ip20 rating
- Available from 12 to 110v
- Speed proportional to voltage

Typical Technical Data Curve

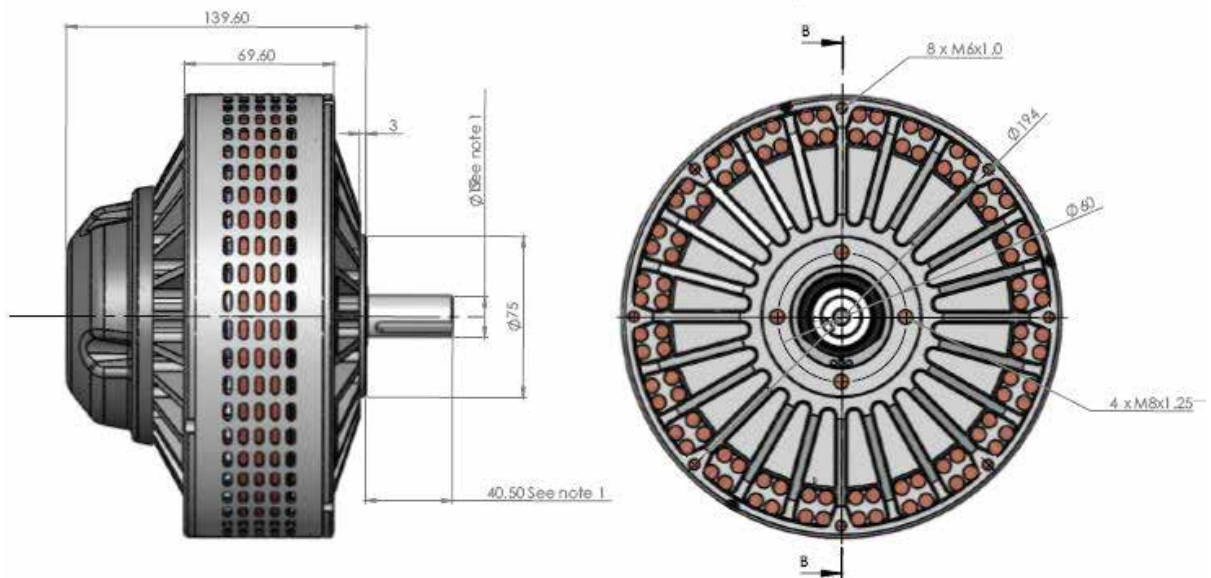


Important

Any model of the LEM-200 can be made up into the 2X2 version. This is 2 motors married together on a single shaft see 2X2 installation drawing for details on our website. This can also be supplied in a V-Twin layout which gives the same performance.

Technical Data

	No Load Current	Torque Constant	Speed Constant	Armature Resistance DC	Armature Inductance @ 15kHz	Armature Inertia	Peak Power	Peak Efficiency	Peak Current	Rated Power	Rated Speed	Rated Voltage	Rated Current	Rated Torque
Motor	A	Nm/A	Rpm/V	mΩ	μH	Kgm ²	kW	%	A	kW	Rpm	V	A	Nm
95	6	0.113	81	21.5	22	0.0238	18	92	400	10	3888	48	250	28
126	10	0.0737	105	175	6	0.0234	7.59	83	400	5.06	2520	24	270	19.2
127	5	0.15	54	22.5	23	0.0236	16.08	89	400	8.55	2592	48	215	31.5
D95B	6	0.14	76	20.5	11	0.0238	28.50	92	400	15.00	6000	72	210	30
D126	5	0.0748	100	138	5	0.0234	11.14	81	400	6.91	3600	36	250	18.3
D127	4	0.17	50	17.5	13	0.0236	25.38	92	400	12.56	3600	72	200	33.3
D135	3.5	0.185	45	16.75	16	0.0236	29.04	93	400	14.39	3780	84	200	36.4
D135 RAG	7.36	0.207	42	16.95	16	0.0238	34.32	93	400	16.84	4032	96	200	39.9
D135 RAGS	7.45	0.21	40	16.95	16	0.0238	36.00	93	400	18.00	4400	110	200	42.0



NOTES:
1). Dimensions are for the standard drive shaft only - Refer to drive shaft drawing for optional shaft configurations



GENERATING
MOVEMENT
EFFICIENTLY

LCM Limited, Lynch Motor Company Ltd, Unit 27,
Flightway Business Park, Dunkeswell, Honiton, Devon EX14 4RJ
Tel: +44 (0) 1404 892940 Fax: +44 (0) 1404 891990
email: sales@lmcltd.net www.lmcltd.net

