



LMC

GENERATING
MOVEMENT
EFFICIENTLY



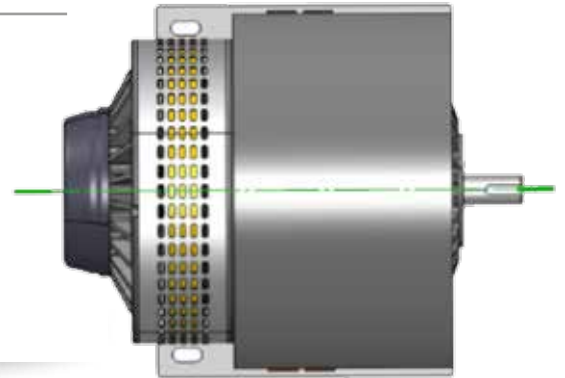
MOTORS

LEM-2X2

Overview

The LMC-2X2 is a matched pair of axial gap DC brushed motor in a single frame suitable for traction and industrial applications.

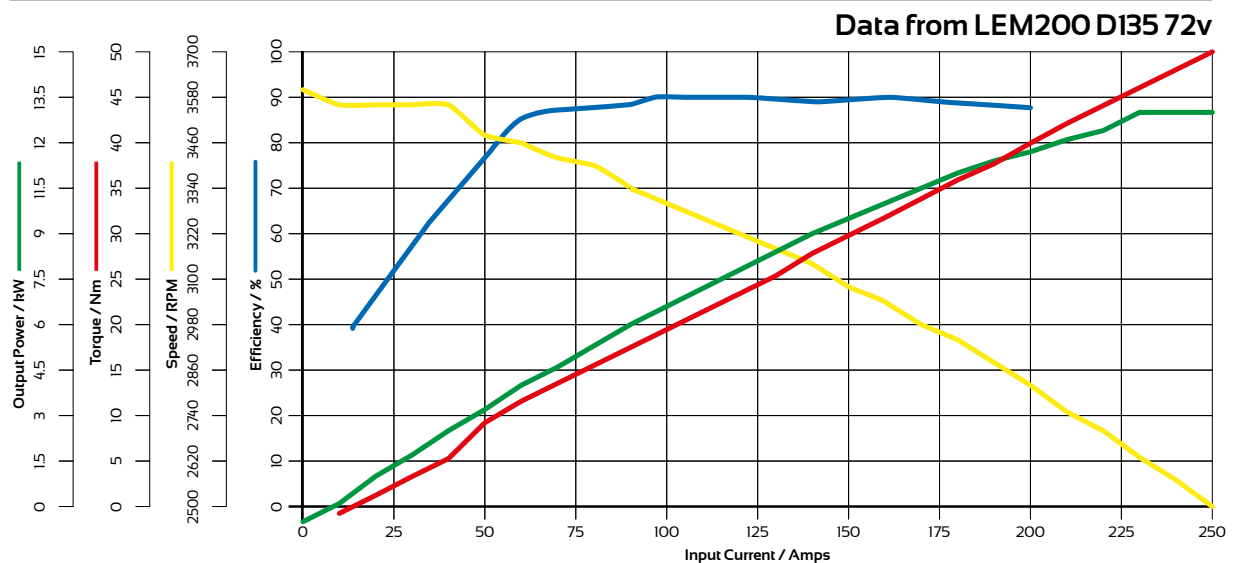
The LMC-2X2 is available in 95, 127 and 135 strip armatures with magnet grade selection dependant on application.



Features

- High efficiency (up to 93%)
- Lightweight design (25kg)
- Simple electronic control
- Long brush Life
- Interchangeable Shaft
- Rugged Construction
- CE Marked
- Ip20 rating
- Available from 24 to 110v
- Speed proportional to voltage

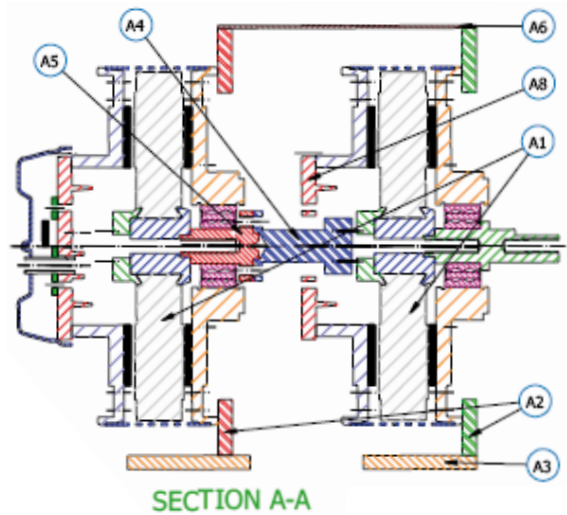
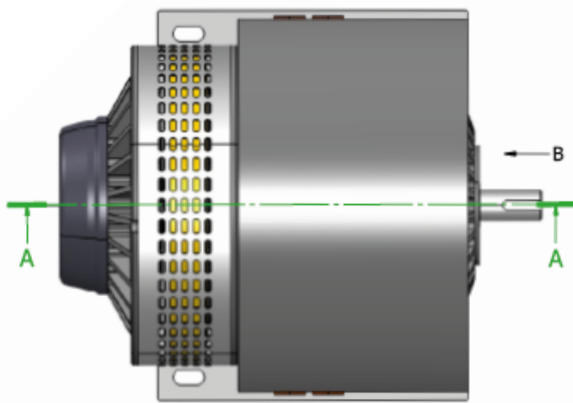
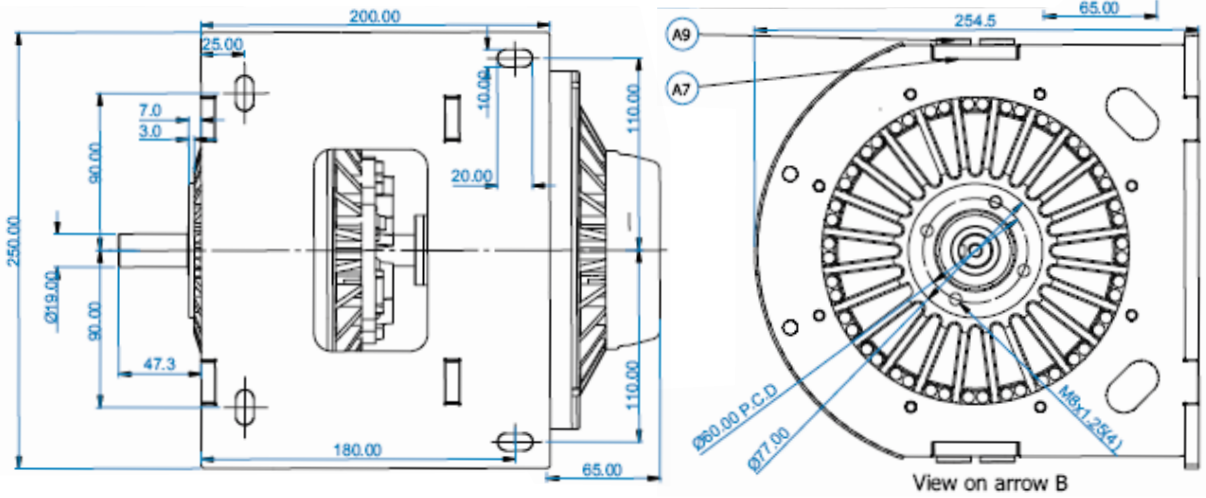
Typical Technical Data Curve



Important

Any model of the LEM-200 can be made up into the 2X2 version. This is 2 motors married together on a single shaft see 2X2 installation drawing for details on our website. This can also be supplied in a V-Twin layout which gives the same performance.

Technical Data



Label	QTY	PartNo.	Description
A1	2	LEM 00054 A 00	LMC 200 Motor Assy
A2	2	LEM 00062 P 00	Motor Support plate
A3	1	LEM 00063 P 00	Base plate
A4	1	LEM 00064 P 00	Shaft coupler
A5	1	LEM 00065 P 00	Linking shaft
A6	1	LEM 00066 P 00	Cover
A7	2	LEM 00067 P 00	Side plate
A8	1	LEM 00068 P 00	Modified Brush Holder
A9	4	LEM 00069 P 00	Top Hat

Dimensions: MM



GENERATING
MOVEMENT
EFFICIENTLY

LCM Limited, Lynch Motor Company Ltd, Unit 27,
Flightway Business Park, Dunkeswell, Honiton, Devon EX14 4RJ
Tel: +44 (0) 1404 892940 Fax: +44 (0) 1404 891990
email: sales@lmcltd.net www.lmcltd.net

